

**CASH & CARRY**  
KITCHENS LTD

[www.cashandcarrykitchens.com](http://www.cashandcarrykitchens.com)

# APPLIANCES, SINKS & TAPS BROCHURE

2011/2012



## BUILT-IN & FREESTANDING APPLIANCES



### SO301BL/IX SINGLE OVEN

- Single multifunction oven
- B rated ■ Elec. clock/programmer
- Self cleaning side liners
- Black (BL) or Stainless Steel (IX)

SO301BL (Black)

SO301IX (Stainless Steel)



### DOI301BL/IX BUILT-IN DOUBLE OVEN

- Multifunction main oven
- Conventional top oven with grill
- Elec. clock/programmer
- A Rated
- Black (BL) or Stainless Steel (IX)

DOI301BL (Black)

DOI301IX (Stainless Steel)



### DOU301BL/IX BUILT-UNDER DOUBLE OVEN

- Multifunction main oven
- Conventional top oven with grill
- Elec. clock/programmer
- A Rated
- Black (BL) or Stainless Steel (IX)

DOU301BL (Black)

DOU301IX (Stainless Steel)

### RC1000TCIX RANGE COOKER

- 100cm Range Cooker
- Twin Cavity ■ Dual Fuel
- Self cleaning side liners
- Telescopic Rails
- 5 gas burners w/ cast iron supports
- Stainless Steel (IX)

RC1000TCIX (Stainless Steel)



### MWI6900IX & MWI6900KIT BUILT-IN MICROWAVE WITH TRIM

- 900w microwave
- 1000w grill
- Auto defrost
- Child lock
- Includes st/steel trim kit

MWI6900IX & MWI6900KIT (Stainless Steel)



### HC61FL CERAMIC HOB

- 60cm ceramic hob
- Side controls
- 4 cooking zones
- Residual heat indicator lights
- Frameless (FL)

HC61FL (Frameless)

## BUILT-IN & FREESTANDING APPLIANCES



**HCT61FL TOUCH CONTROL  
60CM CERAMIC HOB**

- 60cm ceramic hob
- Touch controls ■ Childlock
- 4 cooking zones
- Residual heat indicator lights
- Frameless (FL)

HCT61FL (Frameless)



**HCT79FL TOUCH CONTROL  
78CM CERAMIC HOB**

- 78cm ceramic hob
- Slider controls
- 4 cooking zones ■ Child Lock
- Residual heat indicator lights
- Full Bevelled Edge
- Frameless (FL)

HCT79FL (Frameless)



**HCI61FL  
60CM INDUCTION HOB**

- 60cm induction hob
- Slider controls
- 4 cooking zones
- Pot detection ■ Child Lock
- Full Bevelled Edge
- Frameless (FL)

HCI61FL (Frameless)



**HE61BL/IX  
SOLID PLATE HOB**

- Solid plate electric hob
- Side controls
- 2 x 2kw, 1 x 1.75kw, 1 x 1kw plates
- Black (BL) or Stainless Steel (IX)

HE61BL (Black)

HE61IX (Stainless Steel)



**HG61BL/IX  
60CM GAS HOB**

- 4 burner gas hob
- Side controls
- Cast iron pan supports
- Flame failure device
- Black (BL) or Stainless Steel (IX)

HG61BL (Black)

HG61IX (Stainless Steel)



**HGW75BL/IX  
70CM GAS HOB**

- 5 burners gas hob (incl. wok burner)
- Front controls
- Cast iron pan supports
- Flame failure device
- Black (BL) or Stainless Steel (IX)

HGW75BL (Black)

HGW75IX (Stainless Steel)



**DFSN60 60CM  
INTEGRATED DISHWASHER**

- Fully integrated
- 9 programmes
- AAA rated
- 47dB Noise level (quiet)
- Half load option

DFSN60 (Integrated)



**DFSN45 45CM  
INTEGRATED DISHWASHER**

- Fully integrated slimline
- 10 programmes
- AAA rated
- 54dB Noise level
- 10 place settings

DFSN45 (Integrated)



**DW61WH 60CM  
FREESTANDING DISHWASHER**

- Freestanding dishwasher
- 4 programmes
- AA rated
- 49dB Noise level (quiet)
- Electronic control system

DW61WH (White)



**DWSN61SL 60CM  
FREESTANDING DISHWASHER**

- Freestanding dishwasher
- 7 programmes
- AAA rated
- 47dB Noise level (quiet)
- Electronic control system

DWSN61SL (Silver)

**BUILT-IN & FREESTANDING APPLIANCES**



**RIUF101NM INTEGRATED  
U/COUNTER FREEZER**

- Freezer capacity 120L
- A rated for energy
- 3 freezer drawers
- 4 star freezer
- Reversible Doors

RIUF101NM (Integrated)



**RIUL141NM INTEGRATED  
U/COUNTER FRIDGE**

- Fridge capacity 142L
- A rated for energy
- Glass shelves
- Auto defrost fridge
- Reversible doors

RIUL141NM (Integrated)



**RIFF50501NM  
INTEGRATED FRIDGE FREEZER**

- F/freezer capacity 152/94L
- A rated
- Auto defrost fridge
- Glass shelves
- 4 star freezer

RIFF50501NM (Integrated)



**RIFF70301NM  
INTEGRATED FRIDGE FREEZER**

- F/freezer capacity 192/84L
- A rated
- Auto defrost fridge
- Glass shelves
- 4 star freezer

RIFF70301NM (Integrated)



**RUI141SL  
FREESTANDING FRIDGE**

- Fridge (180L) with icebox (13L)
- A rated
- Auto defrost fridge
- Glass shelves
- Dimensions: H84 x W55 x D60cm

RUI141SL (Silver)



**RUL151SL  
FREESTANDING FRIDGE**

- Fridge capacity 134L
- A rated
- Auto defrost fridge
- Glass shelves
- Dimensions: H64 x W55 x D60cm

RUI151SL (Silver)

**BUILT-IN & FREESTANDING APPLIANCES**



**RFF262SL FREESTANDING FRIDGE FREEZER**

- F/freezer capacity 189/49L
  - A rated
  - Auto defrost fridge
  - Glass shelves
  - 4 star freezer
  - Dimensions: H144 x W55 x D60cm
- RFF262SL (Silver)



**RFF331SL FREESTANDING FRIDGE FREEZER**

- F/freezer capacity 190/111L
  - A rated
  - Auto defrost fridge
  - Glass shelves
  - 4 star freezer
  - Dimensions: H170 x W60 x D60cm
- RFF331SL (Silver)



**WMI1400NM INTEGRATED WASHING MACHINE**

- Spin speed 1400rpm
- AAB rated
- 6kg drum capacity
- 15 programmes
- Fully integrated

WMI1400NM (Integrated)



**WDI1200NM INTEGRATED WASHER DRYER**

- Spin speed 1200rpm
- BAB rated
- 6kg wash / 4kg dry drum capacity
- 15 programmes
- Fully integrated

WDI1200NM (Integrated)



**WM1201SL FREESTANDING WASHING MACHINE**

- Spin Speed 1200rpm
- AA Rated
- Variable Spin
- 6kg drum capacity
- 23 programmes

WM1201SL (Silver)



**WD1200LUXNMWSL / WH FREESTANDING WASHER DRYER**

- Spin speed 1200rpm
- BA rated
- 6kg wash / 4kg dry drum capacity
- 15 programmes
- Electronic control system

WD1200LUXNMWSL (Silver)

WD1200LUXNMWH (White)



**TDC71NMWSL FREESTANDING CONDENSER DRYER**

- Condenser dryer
- Reversible drum
- 7kg drum capacity
- Removable condenser unit for easy cleaning

TDC71NMWSL (Silver)

**Nordmende Warranty: 3 years Parts & Labour**  
For 3rd Year Register for free on [www.nordmende.ie](http://www.nordmende.ie)

## SINGLE, DOUBLE OVENS & COMPACT APPLIANCES



**B14M42  
SINGLE OVEN**

- CircoTherm Series 1
- EasyClock ■ Automatic programmer
- 67 litre capacity ■ Retractable controls
- A Rated ■ Double glazed doors
- Catalytic backliner only

B14M42S0GB (Black)

B14M42N0GB (St/Steel)



**B45M42 SINGLE OVEN  
WITH SLIDEAWAY DOOR**

- CircoTherm Series 2
- EasyClock ■ Automatic programmer
- 67 litre capacity ■ Retractable controls
- A Rated ■ Triple glazed door
- Catalytic liners back and roof

B15M42N0GB (St/Steel)

UNIQUE  
SLIDEAWAY  
DOOR



**U14M42  
DOUBLE OVEN**

- CircoTherm Series 1 main oven
- Conventional & grill in top oven
- EasyClock ■ Automatic programmer
- Retractable controls ■ Double glazed
- A Rated main oven ■ B Rated top oven
- Catalytic backliner main oven only

U14M42S0GB (Black)

U14M42N0GB (St/Steel)



**U17M42  
BUILT-UNDER DOUBLE OVEN**

- CircoTherm Series 1 main oven
- Conventional & grill in top oven
- EasyClock ■ Automatic programmer
- Retractable controls ■ Triple glazed
- A Rated main oven ■ B Rated top oven
- Catalytic backliner main oven only

U17M42S0GB (Black : 4-5 day lead time)

U17M42N0GB (St/Steel)



**H56W20  
MICROWAVE OVEN**

- Microwave for 60cm wide tall unit
- 5 power levels ■ Trim included
- Cooling system ■ Memory programme
- 7 automatic programmes
- Side opening door
- Max 900 Watts

H56W20S0GB (Black)

H56W20N0GB (St/Steel)



**C57M70  
MICROWAVE/COMBI OVEN**

- Series 3 ■ Electronic control
- Microwave / hot air / hot air grilling
- Microwave combi cooking
- 15 automatic cooking programmes
- Child safety lock ■ 36 litre capacity

C57M70S0GB (Black)

C57M70N0GB (St/Steel)

## WARMING DRAWERS, GAS HOBS



**N21H40 / N22H40  
WARMING DRAWER**

- N21H40 14cm high, 6 place setting
- N22H40 29cm high, 12 place setting
- Stainless steel
- Cookware, food warming and defrosting
- Fully extendable pull out drawer

N21H40N0GB (St/Steel)

N22H40N0GB (St/Steel)



**T21S31 4 BURNER  
60CM GAS HOB**

- Series 1
- 60cm 4 burner side control hob
- 1 high speed, 2 standard, 1 economy
- Enamelled pans supports
- Flame failure
- Stainless steel or black (4-5 day lead time for black)

T21S31S1 (Black)

T21S31N1 (St/Steel)



**T25S56 5 BURNER  
70CM GAS HOB**

- Series 1
- 70cm 5 burner front control hob
- 1 high speed, 2 standard, 1 wok, 1 economy
- Cast iron pans supports, flame failure
- Stainless steel or black (4-5 day lead time for both)

T25S56S0 (Black)

T25S56N0 (St/Steel)

CERAMIC & INDUCTION HOBS



**T12K10X1 4 ZONE  
60CM CERAMIC HOB**

- Series 1
- 4 QuickLight cooking zones
- 1 stage residual heat indicator
- Oval controls positioned at the side
- Frameless with front faceted glass

T12K10X1 (Frameless)



**T42D20X1  
60CM INDUCTION HOB**

- Series 2 60cm 4 zone induction hob
- Frameless with front faceted glass
- Electronic touch controls
- 4 power boost zones
- Child safety lock

T42D20X1 (Frameless)



**T42D85X1  
80CM INDUCTION HOB**

- Series 2 80cm 4 zone induction hob
- Frameless with front faceted glass
- Electronic touch controls
- 4 power boost zones
- Child safety lock

T42D85X1 (Frameless)

DISHWASHERS



**S5943X2GB FULLY INTEGRATED  
SLIMLINE DISHWASHER**

- Series 3 ■ 9 placesetting
- 4 programmes ■ AquaStop
- RackMatic system
- Noise level 52 dB
- Water consumption 13 ltrs
- Triple A rated

S5943X2GB FULLY INTEGRATED



**S51E50X1GB FULLY INTEGRATED  
DISHWASHER**

- Series 2 ■ 12 placesetting
- 5 programmes ■ AquaStop
- Time delay ■ Half load
- Noise level 50 dB
- VarioFlex Baskets
- Water consumption 12 ltrs
- Triple A rated

S51E50X1GB FULLY INTEGRATED



**S51T69X2GB FULLY INTEGRATED  
DISHWASHER**

- Series 5 ■ 14 placesetting
- 6 programmes ■ AquaStop
- DosageAssist ■ Touch control
- Noise level 41 dB
- VarioDrawer ■ InfoLight
- Water consumption 10 ltrs
- Triple A rated

S51T69X2GB FULLY INTEGRATED

REFRIGERATION



**K4316X7 INTEGRATED  
LARDER FRIDGE**

- Series 1 built-under larder fridge
- CFC/HFC free ■ Automatic defrost
- 141 Litre (5.0cu ft) total capacity
- Recessed fruit and vegetable drawer
- Annual Energy consumption 146 kWh
- Anti bacterial system, Safety glass shelves
- Reversible door, A Rated

FULLY INTEGRATED



**G4344X7 BUILT-UNDER  
INTEGRATED FREEZER**

- Series 1 built-under 4 Star freezer
- CFC/HFC free ■ 3 pull out drawers
- 98 Litre (3.5cu ft) total capacity
- SuperFreeze function
- Warning light ■ Acoustic alarm
- Annual Energy consumption 211 kWh
- Reversible door, A rated

FULLY INTEGRATED



**K8524X7 INTEGRATED  
MONOBLOC FRIDGE FREEZER**

- Series 2 fridge/freezer ■ CFC/HFC free
- 219 Litre (7.7cu ft) fridge capacity
- 63 Litre (2.2cu ft) freezer capacity
- CircoCool shelving with safety glass
- Annual Energy consumption 276 kWh
- Anti bacterial system, AutoDefrost
- Humidity controlled salad drawer
- Sliding hinge, reversible door, A rated

FULLY INTEGRATED



**K4204X7 INTEGRATED  
MONOBLOC FRIDGE FREEZER**

- Series 2 fridge/freezer ■ CFC/HFC free
- 167 Litre (5.89cu ft) fridge capacity
- 95 Litre (3.35cu ft) freezer capacity
- CircoCool shelving with safety glass
- Annual Energy consumption 323 kWh
- Anti bacterial system, AutoDefrost
- Humidity controlled salad drawer
- Sliding hinge, reversible door, A rated

FULLY INTEGRATED

**HOME APPLIANCES**



**F1256QD**  
7KG WASHING MACHINE

- LG Direct Drive motor
- LED Display ■ Load Sensor
- Drum volume: 58 litres
- 13 programmes including Baby Care
- Spin speed: 1200
- Dimensions: H600 x W842 x D550

F1256QD (white)



**GWL207FLQA**  
AMERICAN FRIDGE FREEZER

- Ice & Water dispenser
- LED display ■ BioShield
- Fridge/Freezer capacity 349/159L
- Moist Balance Crisper
- 2 year parts & labour warranty
- Dimensions: H1753 x W894 x D725

GWL207FLQA (platinum silver)



**GWL207FBQA**  
AMERICAN FRIDGE FREEZER

- Ice & Water dispenser
- LED display ■ BioShield
- Fridge/Freezer capacity 349/159L
- Moist Balance Crisper
- 2 year parts & labour warranty
- Dimensions: H1753 x W894 x D725

GWL207FBQA (black)



**GWL227HSYA**  
AMERICAN FRIDGE FREEZER

- Ice & Water dispenser - non plumbed
- LED display ■ BioShield
- Fridge/Freezer capacity 365/173L
- Moist Balance Crisper
- 2 year parts & labour warranty
- Dimensions: H1753 x W894 x D753

GWL227HSYA (brushed steel)



ITALIAN MADE RANGE COOKERS

COLOUR OPTIONS

Ivory



Burgundy



Please check availability before ordering



**YRU192.50**  
90CM RANGE COOKER

- 5 gas burners (including Wok)
- Removable splashback
- Electric multifunction main oven
- Conventional second oven
- Brass trim with 4 colour options
- 2 year parts & labour warranty

YRU192.50IY/B (IVORY)  
YRU192.50BG/B (BURGUNDY)



**ISE 55**  
WASTE DISPOSAL UNIT

- 3 year parts & labour warranty
- .55HP Duradrive induction motor
- Continuous feed
- St/Steel superior grinding system

ISE 55 WDU



**ISE 65**  
WASTE DISPOSAL UNIT

- 4 year parts & labour warranty
- .65HP Duradrive induction motor
- Continuous feed
- St/Steel superior grinding system
- Airswitch
- 'Quiet Plus' sound insulation

ISE 65 WDU



**HC1100**  
HOT WATER TAP

- 2 year parts & labour warranty
- 90°C instant steaming water
- Safe, filtered, hot water
- Energy efficient & economical
- 2.5 litre tank under sink

HC1100KIT HOT WATER TAP

**INSET SINKS**

**Ascona ASX 611  
& Moselle Tap**

**50 Year** ✓  
Guarantee



Sink incorporates the revolutionary Slimfix® clip system.

ASX 611 price includes waste kit & tap

This single bowl version of this linear design reversible sink with its fingerprint proof Satin Silk finish boasts the Franke patented Slim-Fix system, which allows for the practical recessed drainer. Price includes Moselle Tap in chrome.

Finish



**Ascona ASX 651  
& Moselle Tap**

**50 Year** ✓  
Guarantee



Sink incorporates the revolutionary Slimfix® clip system.

ASX651 price includes Stainless Steel strainer bowl, SSK1 plumbing kit & waste kit & tap

The one and a half bowl version of this linear design reversible sink with its fingerprint proof Satin Silk finish boasts the Franke patented Slim-Fix system, which allows for the practical recessed drainer. Price includes Moselle Tap in chrome.

Finish



**UNDERMOUNT SINKS**

**Compact  
CPX 110 16  
& CPX 110 34**

Price does not include tap.  
Please see page 11 for tap options.

**50 Year** ✓  
Guarantee



For sleek, ultra-modern looks in the kitchen, the compact undermounted sinks truly fit the bill, looking particularly stunning when combined with granite, marble or other solid surface worktops

Finish



Silk

**UK Range  
CLX 110 45**

Price does not include tap.  
Please see page 11 for tap options.

**50 Year** ✓  
Guarantee



This undermounted sink looks stunning with any granite, marble or other solid surface worktop and allows for uninterrupted surface lines. Designed to fit a 500mm worktop.

Finish



Silk

**UNDERMOUNT & BELFAST SINKS**

**Ariane  
ARX 160R / L**

Price does not include tap.  
Please see page 11 for tap options.



This stylish one and a half bowl sinks features a large bowl and fits into a 600mm base unit.  
ARX 160R - right hand version  
ARX 160L - left hand version  
Please specify when ordering.

Finish Silk

**Belfast VBK 710  
& Rotaflow tap**



Price includes Rotaflow Tap

Capture traditional values with this stunning single bowl format ceramic Belfast sink. Price includes both sink & tap

Tap Finish Silksteel

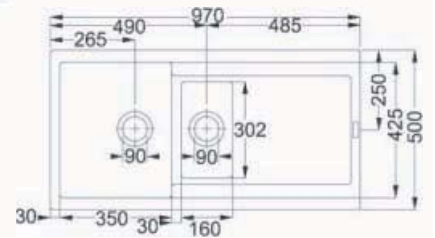
Sink Finish Ceramic

**FRAGRANITE INSET SINK**

**Maris MAR651**



Price does not include tap.  
Please see page 11 for tap options.



Maris MAR651 includes Stainless Steel Strainer bowl & plumbing kit

A stylish, minimalist reversible sink, manufactured with a smooth SilkSheen finish

Finish Coffee Onyx

TAPS

Olympus



Chrome

Rotaflow



SilkSteel

Moselle



Chrome

Zurich



Chrome

SilkSteel

Fuji Pull Out Tap



Chrome

With Spray

ACCESSORIES

Rollamat38



Truly versatile, the Franke Rollamat is an essential accessory for every kitchen. This multi-purpose item can help protect sink and kitchen surfaces and is extremely useful for hot pans, heavy objects and for defrosting food items.

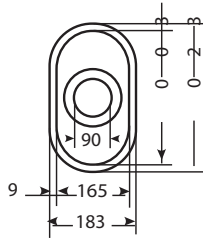
COOKERHOOD

Glass Linear Island Hood

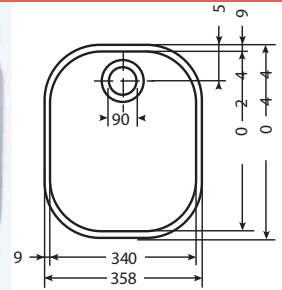


The clean, contemporary styling of this hood conceals highly effective extraction technology (airflow 585m<sup>3</sup>/hr, 52dBA) with halogen lighting.

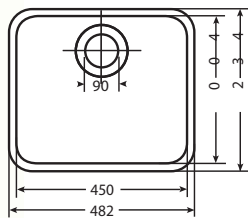
**SWISS LINE SINKS**



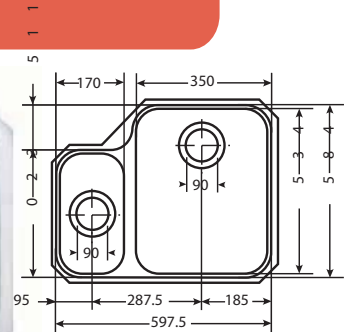
SAX11016



SAX11034



SAX11045



SAX160R/L\*

\*SAX 160 R = Right hand drainer, SAX 160 L = Left hand drainer. Please specify when ordering 25 year guarantee on all SAX sinks against any manufacturing defects.

**COOKER HOODS**



**GALAXY**  
80CM CHIMNEY HOOD

- Touch control
- 2 x 20w Halogen
- Ducted version (150mm)
- Max Airflow 720m3/hr
- Max Noise Level 69dBA
- Grease Filter

Galaxy (St/Steel with black glass front)



**ELEKTRA**  
55CM/80CM ANGLED

- Touch control display
- 2 x 20w Halogen
- Recycling version
- Max Airflow 730m3/hr
- Max Noise Level 67dBA
- Grease Filter ■ Perimeter Aspiration

Elektra 55cm (St/Steel)

Elektra 80cm (St/Steel)

2 year warranty on Elica cooker hoods

**LOCATIONS & CONTACT DETAILS**

Airside, Co. Dublin	01 8900828	Sandyford, D18	01 2940866	Longmile Rd, D12	01 4506876
Blanchardstown	01 8025971	Cork	021 4323245	Cobh Cross	01 4533555
Limerick	061 400158	Waterford	051 858400	Galway	091 786240
Sligo	071 9195010	Castlebar	094 9034760	Farranfore	066 9793046
Carlow	059 9182180	Mullingar	044 9345252	Dundalk	042 9353500